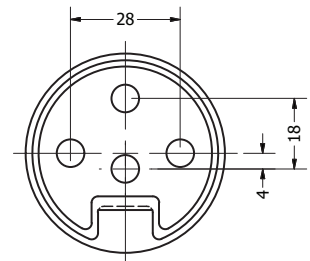
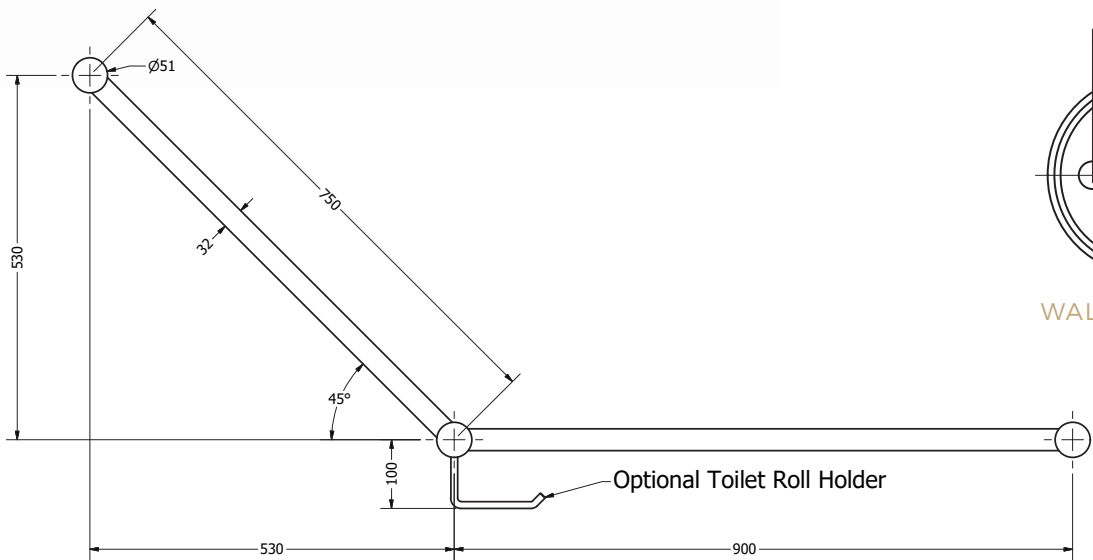


## CALIBRE MOD

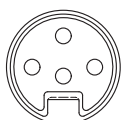
### AS1428.1 DDA 45 Degree Toilet Grab Rail



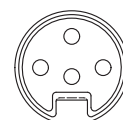
WALL BRACKET



WALL BRACKET  
45 DEGREE ANGLE



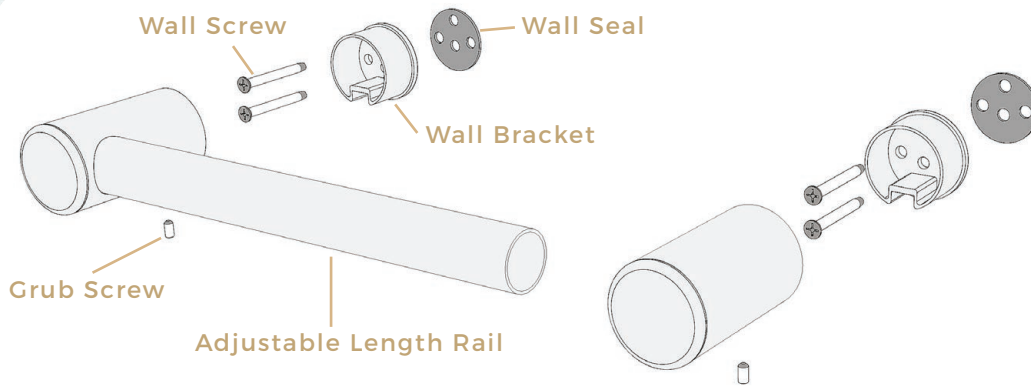
WALL BRACKET  
HORIZONTAL



WALL BRACKET  
HORIZONTAL

## AVAIL QUALITY DESIGNS

- This DDA bathroom toilet rail complies fully with AS1428.1
- Left and Right hand available (Right hand shown above)
- Scratch resistant high grade polished stainless steel
- Modular design, the rail to be cut down to suit your bathroom
- Comfortable 30mm diameter rail
- Rail 150kg capacity and construction exceeds Australian Standard AS1428.1 and has been independently tested



### CONTENTS:

- 3 x Wall Seals
- 3 x Wall Brackets
- 6 x Stainless Screws
- 3 x Grub Screws
- 1 x Grab Rail Assembly

## CALIBRE RAIL

### INSTALLATION INSTRUCTIONS

1. Locate wall studs, install into at least one stud. Place wall seal/mounting bracket on wall at correct height over centre of stud and mark hole positions on wall. (minimum 2 screws per bracket)
2. Drill pilot holes into wall stud approximately 50mm deep to suit mounting screws (and wall plugs if required)
3. Apply small amount of silicon to mounting bracket and wall in and around the screw holes
4. Install mounting brackets by screwing onto wall (use appropriate mounting screws for the wall stud material, supplied screws are for timber wall studs, for masonry use 12 gauge wall plugs or suitable fasteners)
5. Slide rail tube into end bracket and push onto wall brackets  
 Tip: rail length can be cut down to a smaller size, simply use an angle grinder, hacksaw or pipe cutter then deburr the end with a file or grinder and reinsert into the end bracket
6. Tighten grub screws with Allen key



### WARNING:

These rails are designed to be mounted onto wall studs or masonry walls. Installation is recommended to be completed by qualified tradesperson who complies with the AS 1428.1-2009 Design for Access and Mobility standard. It is recommended rail location is determined by a qualified Occupational Therapist or trained professional to the AS 1428.1-2009 standard. Correct installation is required to ensure safe, long term operation. Incorrect mounting can result in reduced capacity of the rail which can result in injury to user and damage to the wall.